

# General Specifications

## MCT7 CT Transmitter

JUXTA

This plug-in type CT Transmitter receives AC current signal such as output from CT and converts it into isolated 4~20mA DC or 1~5V DC signal.

● AC/DC conversion is r.m.s. commutation.

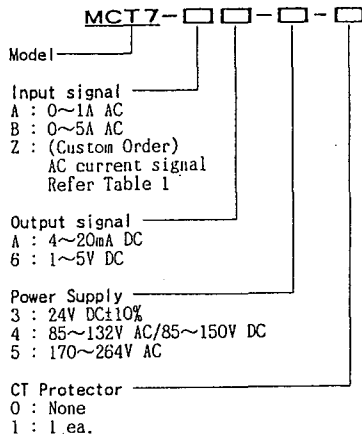
Application :

- Overall control through input of motor load current of factory into DCS.
- Failure detection of factory equipment such as pump, etc. through check of unusual value of motor load current.

Input & Output Specifications	
Input signal	0~1A AC or 0~5A AC
Input loss	Less than 0.5VA
Input frequency	40Hz~10kHz
Permissible over input	200% (continuous), 500% (1 minute)
Output signal	4~20mA DC or 1~5V DC
Permissible load resistance	0~750Ω (when 4~20mA DC output) More than 2kΩ (when 1~5V DC output)
Zero point adjust range	±5% of span
Span adjust range	±5% of span
Standard Performance	
Accuracy rating	±0.5% of span
Response Speed	99% response within 1s
Insulation resistance	More than 100MΩ (500V DC) between input~output~power supply~ground
Withstand voltage	2000V AC/minute between input~output~power supply~ground
Impulse withstand voltage	5kV (1.2/50μS) overall input~output~ground
Temperature range	0~50°C
Humidity range	5~90% RH (no condensation)
Power supply	24V DC±10%, 85~150V DC, 85~132V AC, 170~264V AC, 47~63Hz
Effect of power voltage fluctuation	Less than ±0.1% of span for fluctuation of 24V DC±10%, 85~150V DC, 85~132V AC, 170~264V AC
Effect of temperature change	Less than ±0.2% of span for change of 10°C
Current & power dissipation	24V DC 66mA, 110V DC 12mA 100V AC 4VA, 200V AC 7VA
Mounting, Shape & Accessories	
Material	Case ABS plastic
Mounting method	Wall and DIN rail mountings (5mm interval required for access installation)
Connecting method	M3.5 screw terminal connection
External dimension	85x50x123mm (HxWxD) including socket
Weight	Body : abt. 250g, Socket : abt. 60g
Accessories	Tag number label .... 2 Spacer .... 1 (use for DIN rail mounting)

### CAUTION

Recommendable to set CT Protector (CTP-5) on current input terminal connecting secondary side of CT.  
When removing transmitter from socket without setting CT protector during power on, CT may be burned by inducement of high voltage on secondary side of CT.



### ORDERING INFORMATION

● Model Code : (Example) MCT7-BA-41

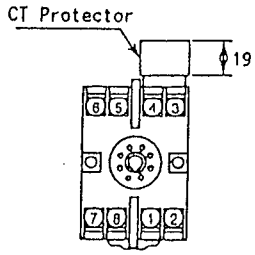
### CUSTOM ORDER SPECS.

Table 1 Manufacturable Range

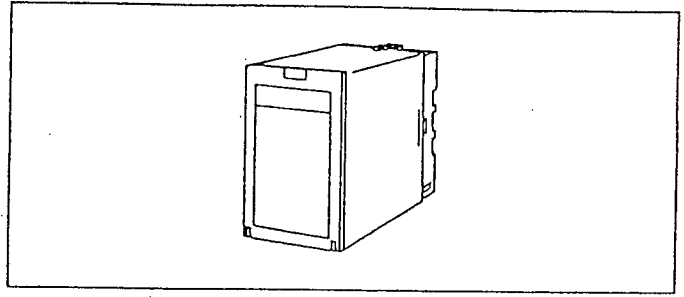
	Current signal
Input range	0~5A AC (5/I <sub>100</sub> is integer value)
Span	0.1~5A AC
Zero elevation	0% only

I<sub>100</sub> : 100% input  
(Note) Input frequency of custom order is 40Hz~1kHz

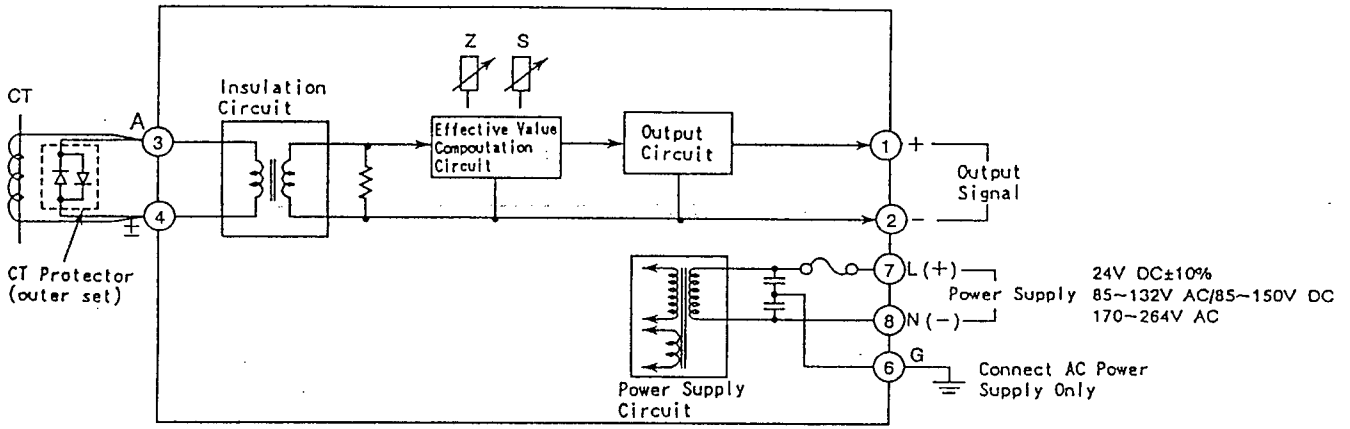
**TERMINAL ARRANGEMENT**



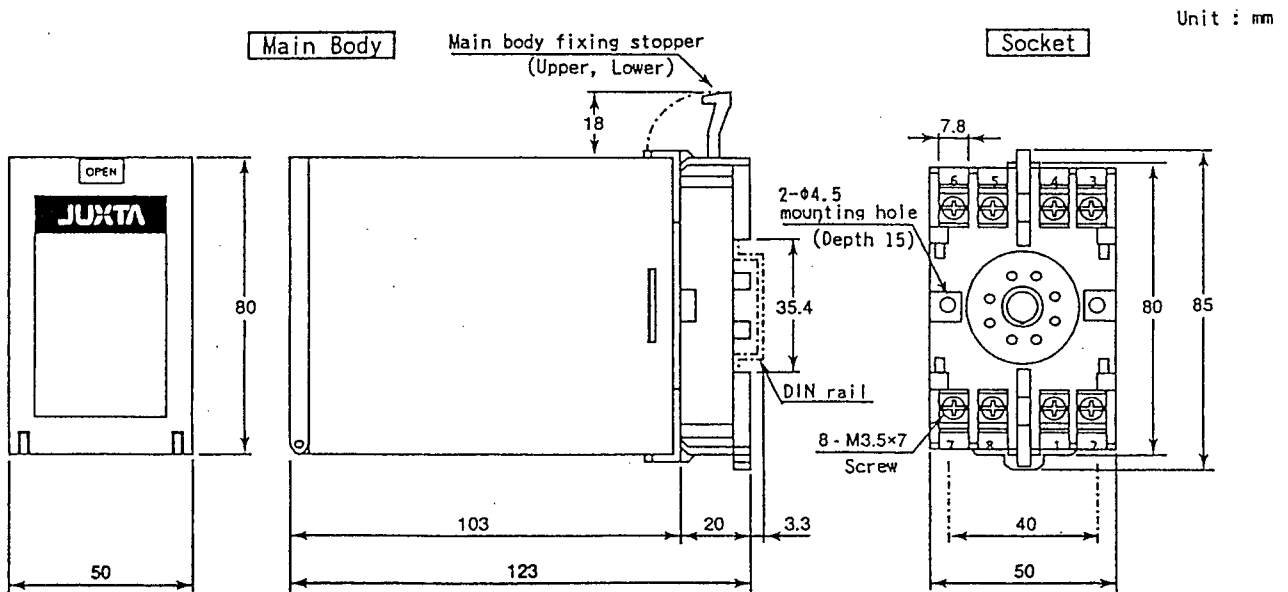
1	OUTPUT (+)
2	OUTPUT (-)
3	INPUT (A)
4	INPUT (±)
5	
6	GND (G)
7	SUPPLY (L+)
8	SUPPLY (N-)



**BLOCK DIAGRAM**



**EXTERNAL DIMENSION**



Subject to change without notice for grade up quality and performance